

SANITARY PUMPS

HYGIENIC CONSTRUCTION



1. Quick dismantling

The clamp system ensures rapid dismantling without any tools.

2. Plain surface

The sandwich diaphragm has a completely plain surface, which eliminates bacteria growth problems. The diaphragm is available in food grade material - pure TFM (PTFE).

3. Superior finish

Both liquid side and outside is electropolished to obtain superior finish and hygiene. Special surface finish may be done according to your requirements.

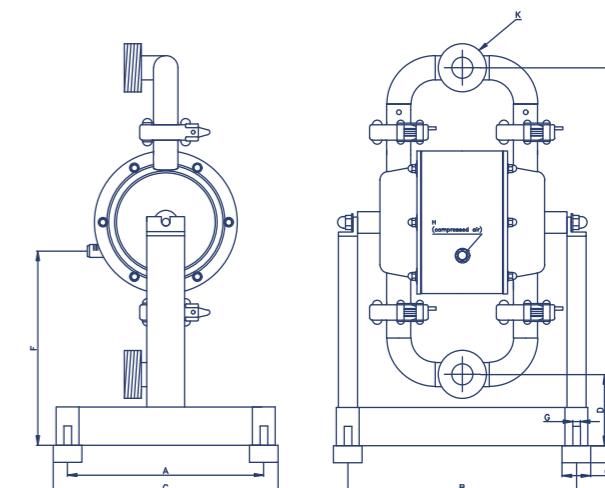
4. Pollution free air valve

The sealing system is lubrication free, always keeping your product and environment free from oil contamination.

AISI 316L POLISHED - HYGIENIC PUMP



DIMENSIONAL DRAWING



Hygienic design made from electropolished stainless steel to meet the requirements in hygienic installations.

DIMENSIONS	A	B	C	D	E	F	G	H	I	ØJ	ØK		
											TC	DIN	SMS
DM 25/75	206	240	230	74	386	204	M8	R 1/4"	18	30	1"	25	25
DM 40/125	226	257	250	67	440	221	M8	R 1/4"	18	30	1 1/2"	40	38
DM 50/315	326	357	350	102	640	304	M8	R 1/2"	18	30	2"	50	51
DM 65/565	326	435	350	97	845	414	M8	R 1/2"	18	30	2 1/2"	65	63,5

TECHNICAL DATA

	25/75	40/125	50/315	65/565
Max capacity (l/min)	75	125	315	565
Max pressure (bar)	8			
Nominal port size	DN 25	DN 40	DN 50	DN 65
Optional connections	Tri-Clamp standard, DIN 11850, SMS			
Air connection	R 1/4"	R 1/4"	R 1/2"	R 1/2"
Suction lift dry (mWC)	3	4	4	5
Suction lift wet (mWC)	9			
Max diameter solids (mm)	5	8	11	14
Temperature limits - NBR, EPDM (°C)	80			
Temperature limits - PTFE (°C)	120			
Weight (kg)	8	11	26	34
Material of pump housing	AISI 316L			
Material of centre housing	PE, PE conductive			
Diaphragm options	NBR, EPDM or TFM/PTFE			
Valve balls	NBR, EPDM, PTFE, AISI 316			
Gaskets	Silicone, PTFE, EPDM, NBR			

The above figures represent EPDM-fitted pump capabilities. It can vary for PTFE-fitted diaphragm.

Sanitary series

Sanitary series is particularly designed to meet the requirements of the food, beverage, pharmaceutical and cosmetic industries. Lubrication free air distribution system, maintenance free ball check valve system and total visual inspection of the wetted parts are some of the major features for this pump series.

Made to be clean

Our design allows for total visual inspection of the wetted parts. There are no hidden areas where bacteria can grove. The manifold clamps and the housing screws are simply removed for complete disassembly and cleaning. The pump is also designed for cleaning and sterilization in place - C.I.P. and S.I.P. After such operations, the pump is easily turned in its support for drainage.